



**HAVANT RUGBY FOOTBALL CLUB**  
**GROUND: HOOKS LANE, FRASER ROAD,**  
**BEDHAMPTON, HAVANT, HANTS. PO9 3EJ**  
**TEL: 023 92492311 / 92477843**



**MINI & JUNIOR SECTION**

**Policy on Clothing to be worn for Match Play**

3 December 2003

Introduction:

The policy is issued with respect to clothing that may be worn by members of Havant Rugby Club Mini & Junior Section during representative games. The use of any other clothing for match play will not normally be approved. Most items are sold in the Club shop where further advice can be obtained.

Background:

The Laws of rugby provide players of different physiques, skills, genders and ages with the opportunity to participate at their levels of ability in a safe, controlled, competitive and enjoyable environment. In helping to provide this environment, match referees have in the past been expected to enforce the Laws with respect to clothing worn by players. This emphasis has changed such that ownership of the responsibility to observe the Laws of rugby has been extended to all that are involved in the game. This includes manufacturers and retailers of equipment and clothing, rugby clubs, officials, coaches and players themselves. Where players are minors then parents and carers assume responsibility on their behalf.

Law:

What players wear is governed by the International Rugby Board (IRB) Laws of the Game 2003, Law 4 entitled Players Clothing. In accordance with Law, the following policy with respect to clothing that may be worn by members of Havant Mini and Junior Rugby Club during representative games is effective forthwith.

Players' clothing:

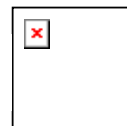
This is defined as any clothing that players wear during representative games. A player wears a jersey, shorts and underwear, socks and boots. Players are loaned Havant Club shirts for representative games and are expected to provide the remainder of their clothing themselves. Cotton only blue rugby shorts are to be worn noting that nylon soccer style shorts may cause friction burns during physical contact and may not be worn therefore. Socks in Havant Club colours are to be worn during representative games.

### Additional items of clothing:

Additional items of clothing permitted by Law that may be worn if required are listed below. None of these items are mandatory and their inclusion in the list does not constitute a recommendation by the Club that they should be worn unless stated specifically.

- Supports (e.g. for ankles, knees, arms) may be worn provided they are made from elasticated or compressible materials that are washable.
- Shin guards worn under socks must be of the non-rigid type with padding no thicker than 0.5 cm when compressed. Hard plastic or shin pads with wooden inserts as used in soccer shin guards are incorrect; they are aggressive and dangerous to unprotected rugby players. A shin pad must absorb impact from the outside thus avoiding injury to another player who may come into contact with it.
- Mitts that cover the fingers and thumbs to the outer joint only that have been designed and sold specifically for the purpose of playing rugby may be worn.
- Shoulder Pads made of soft and thin materials may be worn on the shoulder and collarbone only, provided that no part of the pads is thicker than 1 cm when uncompressed. No part of the supporting vest, including other padded areas, may exceed 0.5 cm when uncompressed. In addition the garment must display the IRB approval mark.
- Mouth Guard or a dental protector should be worn by all Havant players from the Under 9 age group onwards. In addition, these are strongly recommended for Under 7 and Under 8 age group players too. At the beginning of each season the Club will endeavour to arrange a mass dental fitting for all players thus enabling low cost, made-to-measure mouth guards to be purchased. Those who join the Club after this date or who use braces on their teeth may wish to make separate arrangements with their dentist/orthodontist. Temporary 'boil in the bag' type protectors can be purchased at the Club shop or from any sports shop.
- Headgear made of soft and thin materials may be worn provided that no part of the headgear is thicker than 1 cm when uncompressed. Headgear must display the IRB approval mark.

**IRB Approval Mark**



### **Special Additional Items for Women**

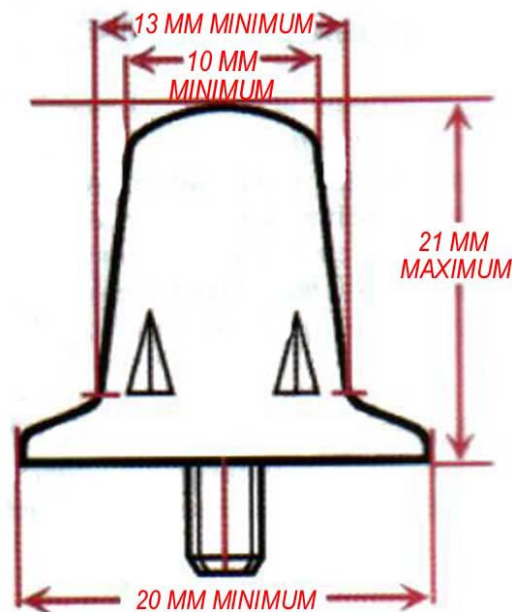
Chest pads with no part of the pads thicker than 1 cm when uncompressed may be incorporated in a supporting vest garment such as that used for shoulder pads. No part of the supporting vest, including other padded areas, may exceed 0.5 cm when uncompressed. The garment must display the IRB approval mark

### Footwear

- It is not the responsibility of the referee to say whether a particular make of footwear conforms to IRB specifications. Before kick off, the referee will check that studs are safe for

use in the match by feeling for sharp edges and burring. If the referee considers that any footwear (or item of clothing) no matter whether IRB marked or not is unsafe, then it is within his authority to disallow its use in the subsequent game. If, during the game, a player is found to be wearing an item that he/she has been asked to remove for reasons of safety then disciplinary action (red card) is indicated.

- During the match if there is a serious injury it will be for the coach and club to show that players were wearing the correct footwear during the game.
- Footwear bought as 'rugby boots' from a retailer must conform to IRB specifications. If there is any doubt then a certificate signed by the retailer that the footwear is fit for the purpose of playing rugby and conforms to the requirements of IRB Regulation 12 should be obtained.
- Footwear such as soccer boots must have the soccer studs removed and replaced by studs that conform to Appendix Two to IRB Regulation 12. Studs may be manufactured from aluminium, rubber or rubber compound, but not plastic or plastic/metal combinations. Suitable studs are available from the Club shop. Studs that conform have the following dimensions:
  - No longer than 21 mm measured from the sole.
  - A minimum diameter of 10 mm at the top of the stud.
  - A minimum diameter of 13 mm at the base of the stud (excluding the washer).
  - A minimum diameter of 20 mm at the base where the stud integrates with the washer.



MAXIMUM AND MINIMUM DIMENSIONS OF A STUD

- Studs/cleats that comply with the design and dimensions as shown above should give satisfactory performance. Footwear with studs/cleats of other designs (e.g. Blades) may be acceptable if the referee considers they present no greater risk of injury to another player than the design shown above. These other designs are unlikely to improve performance significantly and are not recommended for use by Havant players.
- Moulded rubber multi studded soles such as are used on artificial turf are acceptable provided they have no sharp edges or ridges. These are suitable alternatives for studded footwear in conditions where the playing surface is on dry, hard ground. They are not suitable for use where the ground is soft.

Banned items of clothing:

- Clothing contaminated by blood.
- Any sharp or abrasive item.
- Items containing buckles, clips, rings, hinges, zippers, screws, bolts or rigid material or projection not otherwise permitted under Law.
- Jewellery.
- Gloves.
- Shorts with sewn in padding.
- Clothing not conforming to IRB specifications.
- Items normally allowed but considered unsafe by the referee (e.g. through damage or wear).
- A single stud at the toe of the boot.
- Communications devices.
- Any item of clothing thicker than 0.5 cm uncompressed unless specified elsewhere under Law.

Deborah J Morgan

Acting Chairman

**Havant Rugby Club Mini & Junior Section**